



MOTORVORWAERMUNG UNTERWAGEN
PREHEATING ENGINE CHASSIS FRAME

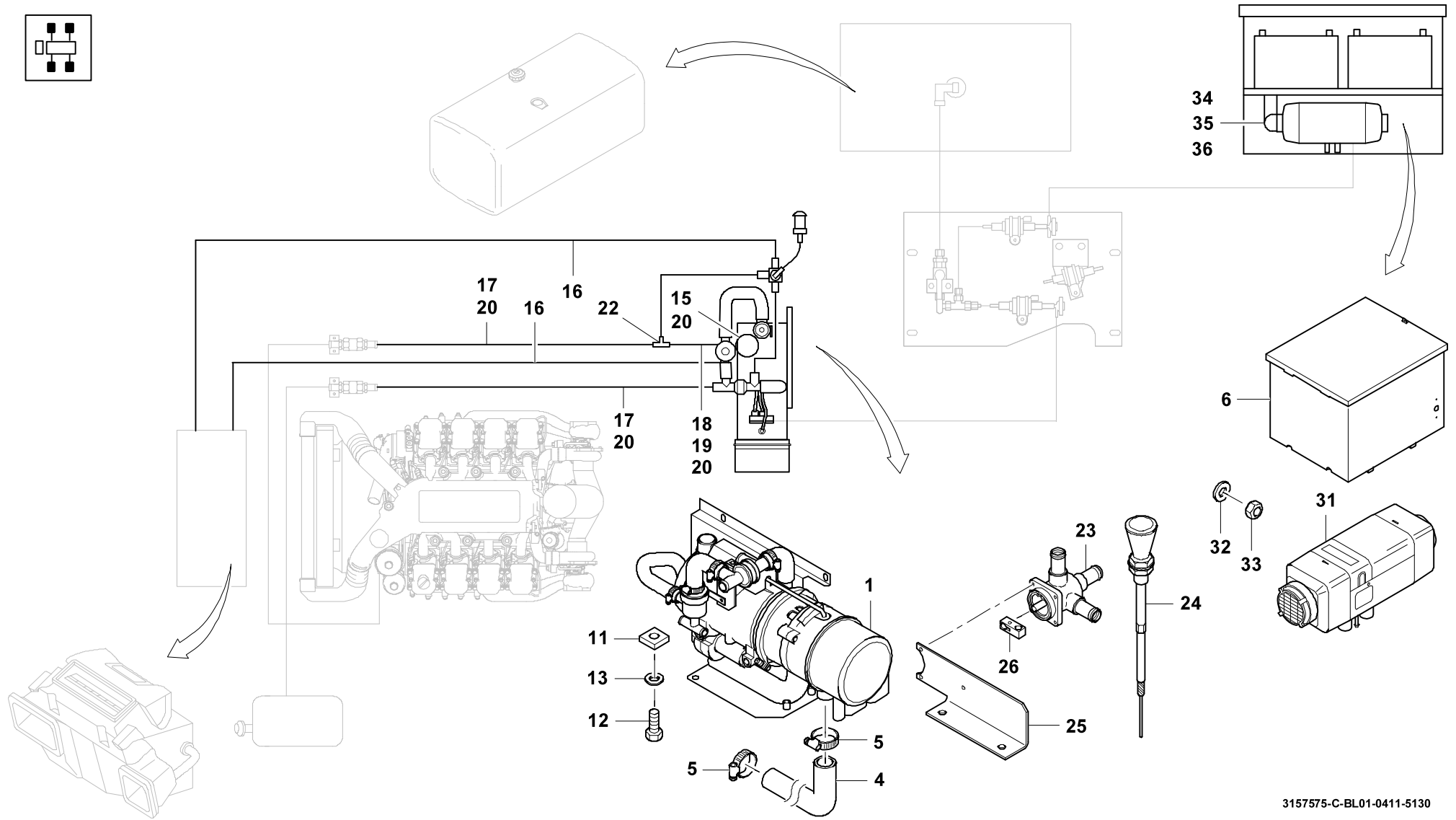
BILDТАFEL
PICTORIAL DISPLAY

04.11

3157575-ETL C

1/3

**GMK 5130
BE 780
G 000**





MOTORVORWAERMUNG UNTERWAGEN
PREHEATING ENGINE CHASSIS FRAME

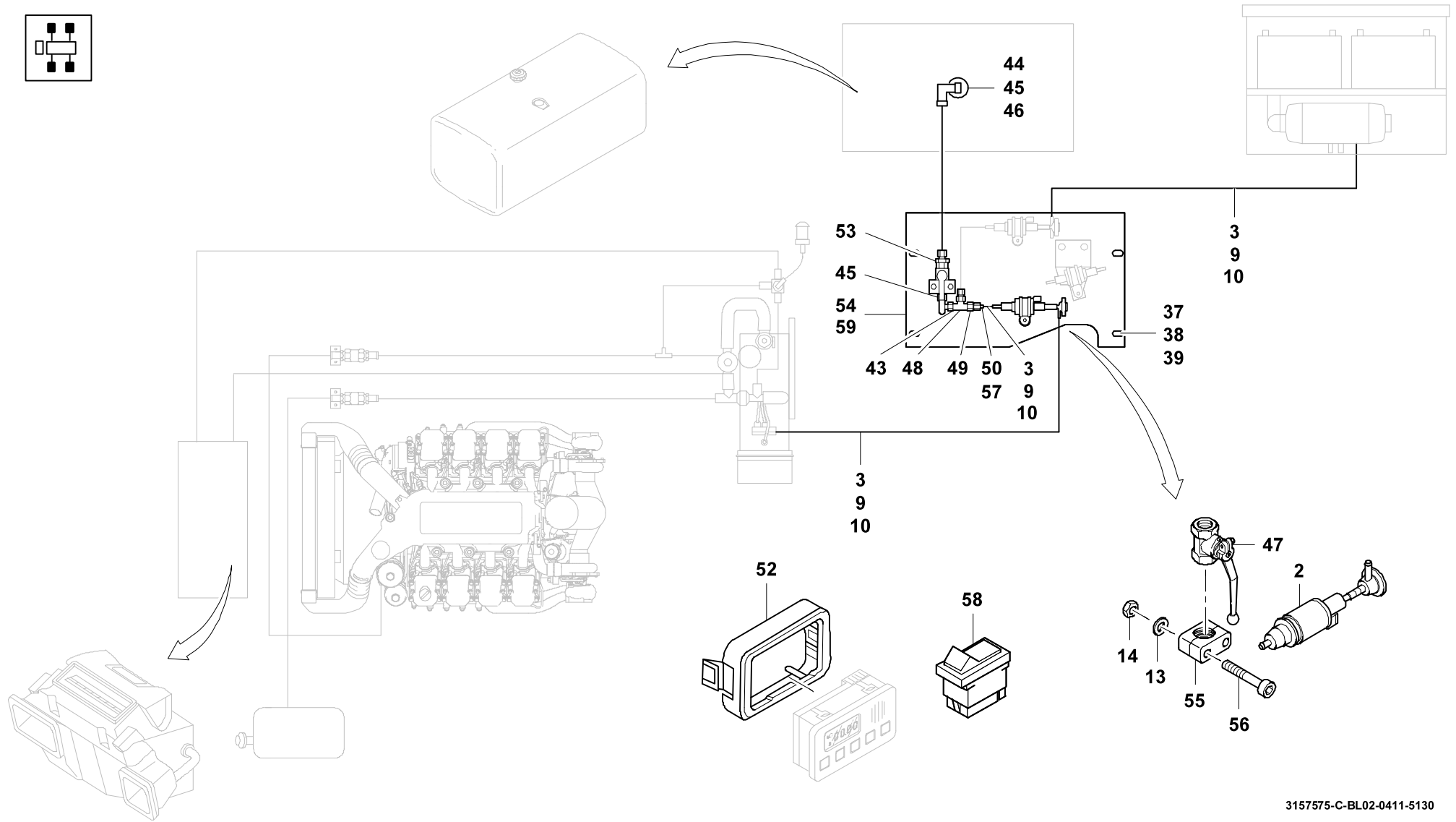
BILDТАFEL
PICTORIAL DISPLAY

04.11

3157575-ETL C

2/3

**GMK 5130
BE 780
G 000**



GROVEMOTORVORWAERMUNG UNTERWAGEN
PREHEATING ENGINE CHASSIS FRAMEBILDТАFEL
PICTORIAL DISPLAY

04.11

3157575-ETL C

3/3

**GMK 5130
BE 780
G 000**